

The **CM 217** is a high performance condenser instrument microphone specifically designed for hi-hats, overheads, and other string instruments. The **CM 217** features a selectable 6dB / octave roll-off at 200Hz to compensate for close miking proximity effect. It also features a built-in selectable 10dB pad to allow operation at high sound pressure levels.

Note: This microphone requires 9-52V Phantom power to operate.

Specifications

Type:

Back Electret Condenser

Polar Pattern:

Cardioid

Sensitivity:

-63dB +/-4dB @ 1KHz (0dB=1V/u bar)

Output Impedance:

200 ohms +/- 20%

Frequency Response:

30Hz-18KHz

Power:

DC 9V-52V Phantom Power

Signal to Noise Ratio:

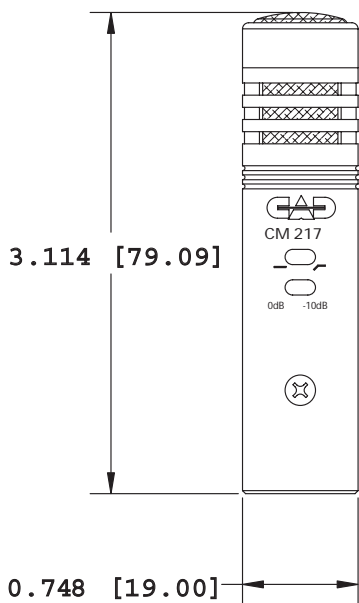
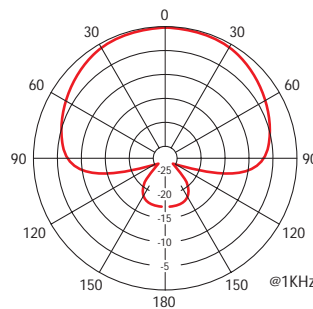
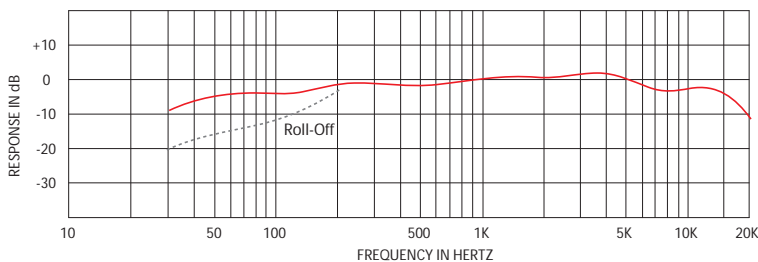
More than 60dB

Dimensions:

(see drawing)

Weight:

25g



TWO-YEAR LIMITED WARRANTY

CAD Professional Microphones are warranted for two years to the original purchaser from the date of purchase by Omnitronics, LLC to be free from defects in material and workmanship. In event of such defect, product will be repaired or replaced at Omnitronics, LLC discretion with a new unit of equal or superior value. This will be at no charge if delivered prepaid to Omnitronics, LLC, together with the proof of purchase and a Return Authorization number. The unit will be returned promptly prepaid. Warranty excludes exterior finish, appearance items, or malfunction due to abuse or operation under other than specified conditions. Consequential or incidental damages are excluded.

This warranty gives you specific legal rights and you may also have other rights which vary from state to state. Some states do not allow the exclusion or limitation of incidental or consequential damages or limitations on how long an implied warranty lasts, so the above exclusions and limitations may not apply to you.

Note: No other warranty, written or oral is authorized by Omnitronics, LLC.

SHIPPING INSTRUCTIONS

Please call our customer service department at 440-593-1111 for a pre-approved return authorization number and carefully repack the unit and return it to: Omnitronics, LLC, 341 Harbor St., Conneaut, OH 44030
ALL RETURNS MUST HAVE A PRE-APPROVED RETURN AUTHORIZATION NUMBER OR IT WILL BE REFUSED.

If outside the United States, contact your dealer or distributor for warranty details.

The **KM 212** is a high performance dynamic percussion microphones specifically designed for kick drums, bass guitar cabinets and other low frequency applications. A new capsule design captures high SPL instruments with extended frequencies below 100Hz

The **KM 212** incorporates a large diaphragm, and low sensitivity to compensate for high sound pressure levels (SPL's). The **KM 212** features an excellent transient response with a wide frequency range for exceptional bass detail and clarity.

Specifications

Type:

Dynamic

Polar Pattern:

Cardioid

Sensitivity:

-86dB

Output Impedance:

150ohms

Frequency Response:

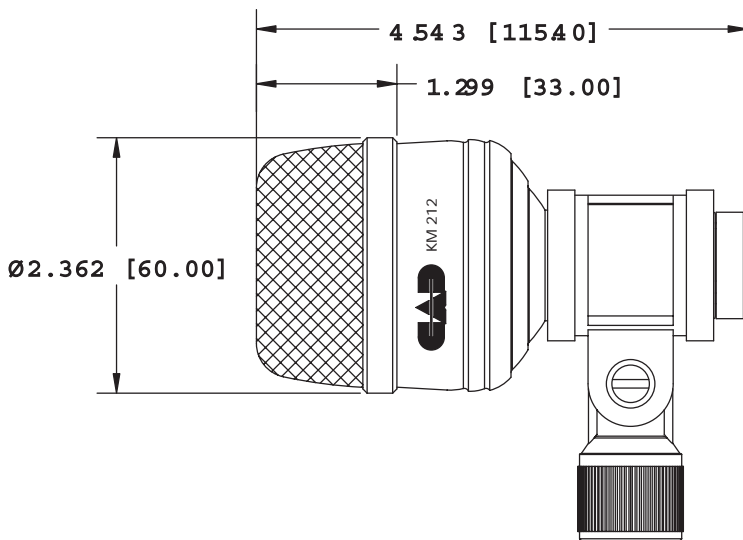
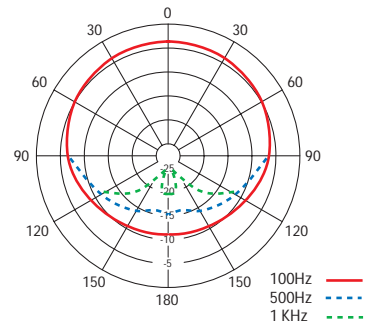
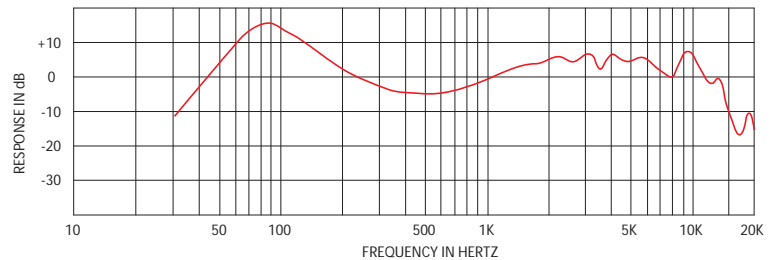
50Hz-16KHz

Dimensions

(see drawing)

Weight:

320g



TWO-YEAR LIMITED WARRANTY

CAD Professional Microphones are warranted for two years to the original purchaser from the date of purchase by Omnitratics, LLC to be free from defects in material and workmanship. In event of such defect, product will be repaired or replaced at Omnitratics, LLC discretion with a new unit of equal or superior value. This will be at no charge if delivered prepaid to Omnitratics, LLC, together with the proof of purchase and a Return Authorization number. The unit will be returned promptly prepaid. Warranty excludes exterior finish, appearance items, or malfunction due to abuse or operation under other than specified conditions. Consequential or incidental damages are excluded.

This warranty gives you specific legal rights and you may also have other rights which vary from state to state. Some states do not allow the exclusion or limitation of incidental or consequential damages or limitations on how long an implied warranty lasts, so the above exclusions and limitations may not apply to you.

Note: No other warranty, written or oral is authorized by Omnitratics, LLC.

SHIPPING INSTRUCTIONS

Please call our customer service department at 440-593-1111 for a pre-approved return authorization number and carefully repack the unit and return it to: Omnitratics, LLC, 341 Harbor St., Conneaut, OH 44030
ALL RETURNS MUST HAVE A PRE-APPROVED RETURN AUTHORIZATION NUMBER OR IT WILL BE REFUSED.
 If outside the United States, contact your dealer or distributor for warranty details.

The **SN 210** is a high performance dynamic percussion microphones specifically designed for snares, and is also suitable for toms and bongo drums. A supercardioid pattern with a wide frequency response makes the **SN 210** suitable for several different applications. Its patented drum clip is designed for easy setup and is adjustable to a desired sound source pick-up angle.

Specifications

Type:

Dynamic

Polar Pattern:

Supercardioid

Sensitivity:

-75dB

Output Impedance:

300ohms

Frequency Response:

50Hz-16KHz

Maximum SPL:

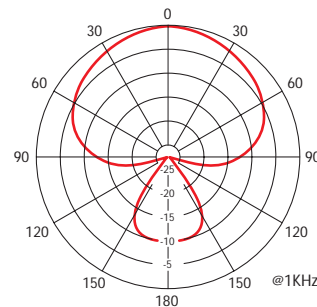
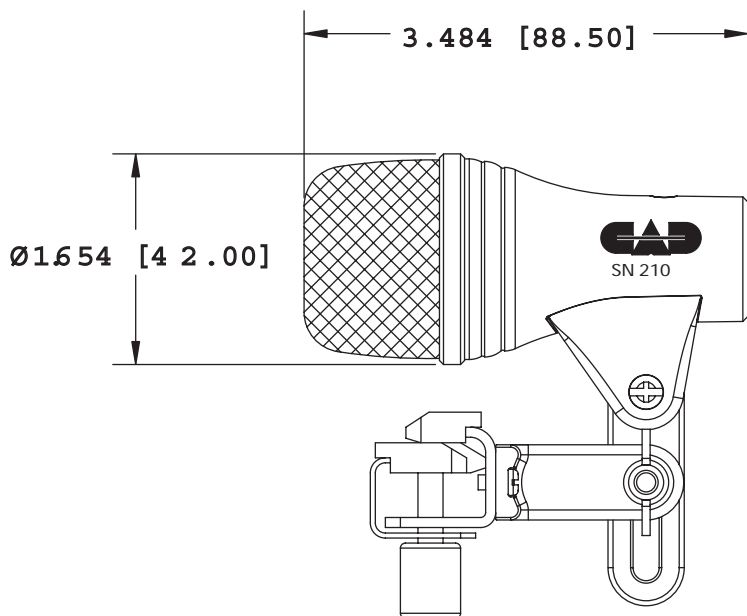
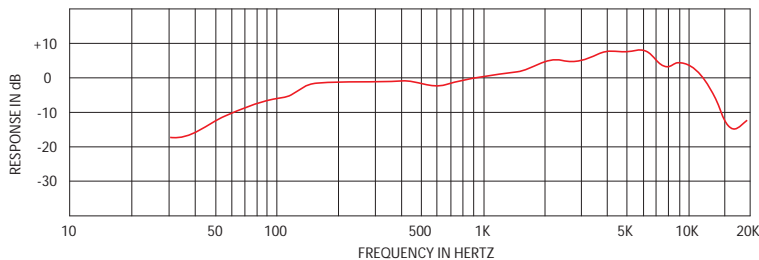
132 dB (1% THD, open circuit)

Dimensions:

(See drawing)

Weight:

193g



TWO-YEAR LIMITED WARRANTY

CAD Professional Microphones are warranted for two years to the original purchaser from the date of purchase by Omnitronics, LLC to be free from defects in material and workmanship. In event of such defect, product will be repaired or replaced at Omnitronics, LLC discretion with a new unit of equal or superior value. This will be at no charge if delivered prepaid to Omnitronics, LLC, together with the proof of purchase and a Return Authorization number. The unit will be returned promptly prepaid. Warranty excludes exterior finish, appearance items, or malfunction due to abuse or operation under other than specified conditions. Consequential or incidental damages are excluded.

This warranty gives you specific legal rights and you may also have other rights which vary from state to state. Some states do not allow the exclusion or limitation of incidental or consequential damages or limitations on how long an implied warranty lasts, so the above exclusions and limitations may not apply to you.

Note: No other warranty, written or oral is authorized by Omnitronics, LLC.

SHIPPING INSTRUCTIONS

Please call our customer service department at 440-593-1111 for a pre-approved return authorization number and carefully repack the unit and return it to: Omnitronics, LLC, 341 Harbor St., Conneaut, OH 44030
ALL RETURNS MUST HAVE A PRE-APPROVED RETURN AUTHORIZATION NUMBER OR IT WILL BE REFUSED.

If outside the United States, contact your dealer or distributor for warranty details.



TM 211

Cardioid Dynamic Percussion Microphone

The **TM 211** is a high performance dynamic percussion microphone specifically designed for toms, bongos, and other percussion applications. A cardioid pattern with a wide frequency response makes the **TM 211** suitable for several different applications. Its patented drum clip is designed for easy setup and is adjustable to a desired sound source pick-up angle.

Specifications

Type:

Dynamic

Polar Pattern:

Cardioid

Sensitivity:

-75dB

Output Impedance:

600ohms

Dynamic Range:

110 dB

Frequency Response:

50Hz-16KHz

Maximum SPL:

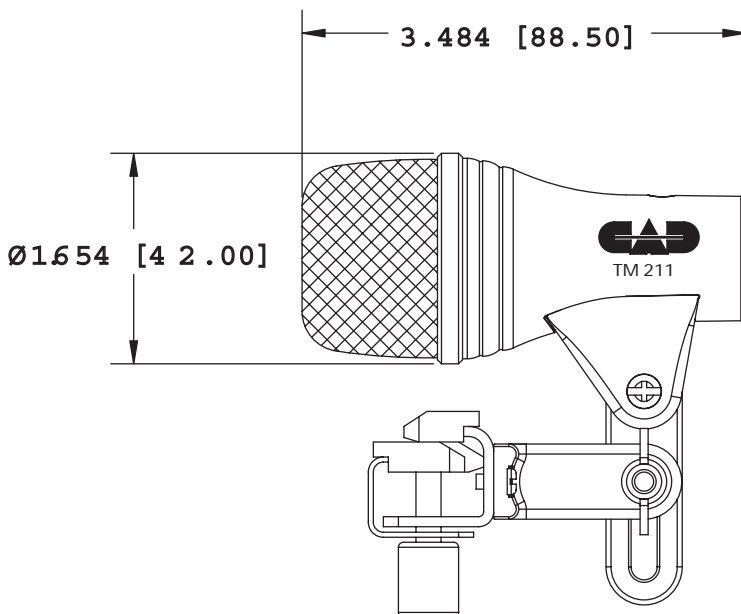
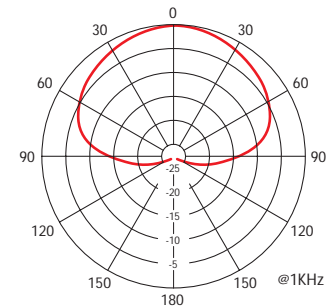
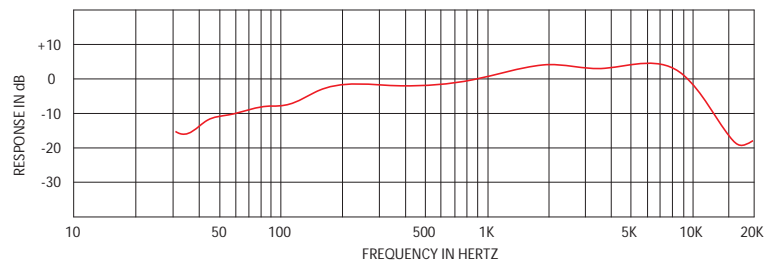
132 dB (1% THD, open circuit)

Dimensions:

(See drawing)

Weight:

193g



TWO-YEAR LIMITED WARRANTY

CAD Professional Microphones are warranted for two years to the original purchaser from the date of purchase by Omnitronics, LLC to be free from defects in material and workmanship. In event of such defect, product will be repaired or replaced at Omnitronics, LLC discretion with a new unit of equal or superior value. This will be at no charge if delivered prepaid to Omnitronics, LLC, together with the proof of purchase and a Return Authorization number. The unit will be returned promptly prepaid. Warranty excludes exterior finish, appearance items, or malfunction due to abuse or operation under other than specified conditions. Consequential or incidental damages are excluded.

This warranty gives you specific legal rights and you may also have other rights which vary from state to state. Some states do not allow the exclusion or limitation of incidental or consequential damages or limitations on how long an implied warranty lasts, so the above exclusions and limitations may not apply to you.

Note: No other warranty, written or oral is authorized by Omnitronics, LLC.

SHIPPING INSTRUCTIONS

Please call our customer service department at 440-593-1111 for a pre-approved return authorization number and carefully repack the unit and return it to: Omnitronics, LLC, 341 Harbor St., Conneaut, OH 44030

ALL RETURNS MUST HAVE A PRE-APPROVED RETURN AUTHORIZATION NUMBER OR IT WILL BE REFUSED. If outside the United States, contact your dealer or distributor for warranty details.